

Installing the Sloped Ceiling Kit (SCK1-52**) Instructions Sheet

Be sure the electricity to the fan is turned off!

INSTALLATION NOTE

When installing your ceiling fan on a sloped ceiling, the hanger bracket must be mounted with the opening parallel to the slope (Figure 2a).

1. Remove the Hanger Ball by loosening the setscrew in the Hanger Ball until the ball falls freely down the Downrod. (Figure 1a) Remove the Pin from the Downrod, then remove the Hanger Ball. Retain the Pin for reinstallation in Step 3.

2. Route wires through opening in Canopy. Position Canopy on fan shown with open side facing up. (Figure 1b)

3. Reinstall the Hanger Ball (Figure 1b) on the Downrod as follows. Route the three 80" wires through the Hanger Ball. Position the Pin through the two holes in the Downrod and align the Hanger Ball so the Pin is captured in the groove in the top of the Hanger Ball. Pull the Hanger Ball up tight against the pin. **Securely tighten the setscrew in the Hanger Ball. A loose setscrew could create fan wobble.**

4. Carefully lift the assembled fan and seat the downrod/hanger ball assembly on the Hanger Bracket that was attached to the ceiling joist. Be sure the groove in the ball is lined up with tab on the hanger bracket (Figure 2).

⚠ WARNING

Failure to seat tab in groove could cause damage to electrical wires and possible shock or fire hazard.

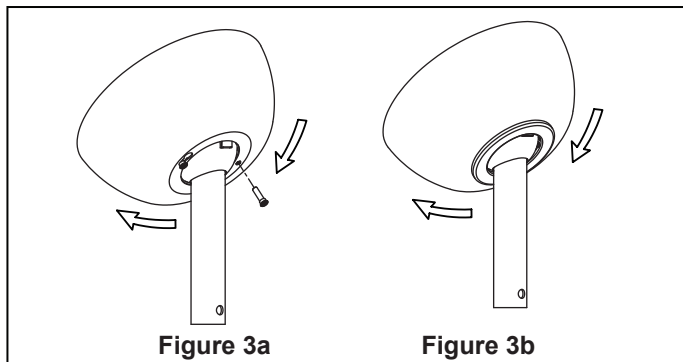
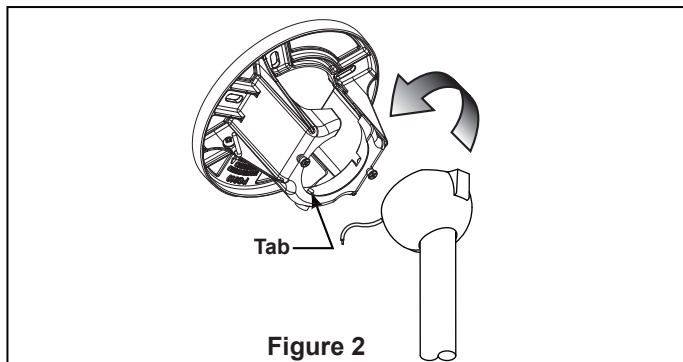
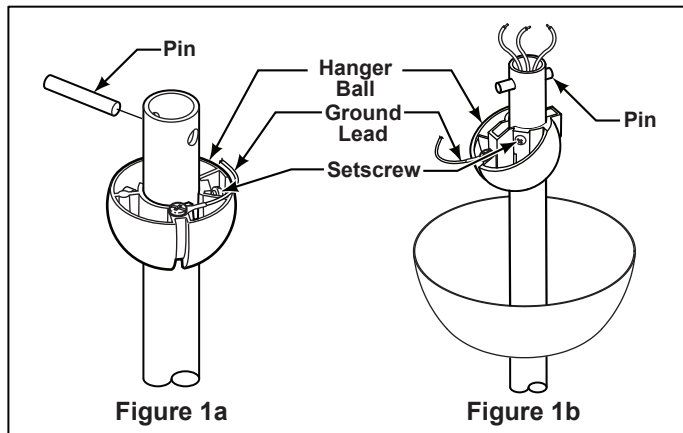
NOTE: The threaded rods in the hanger bracket serves as guides for easier (Canopy Housing) installation.

⚠ WARNING

To avoid possible fire or shock, make sure that the electrical wires are completely inside the canopy housing and not pinched between the bracket, the housing and/or the ceiling.

5. Remove one of the two shoulder screws in the hanger bracket. Loosen the second shoulder screw without fully removing it. Assemble canopy by rotating key slot in canopy over shoulder screw in hanger bracket. Tighten shoulder screw. Fully assemble and tighten second shoulder screw that was previously removed (Figure 3a).

6. Securely attach and tighten the canopy screw cover over the shoulder screws in the hanger bracket utilizing the key slot twist-lock feature (Figure 3b).



SCK1-52** – Sloped Ceiling Kit Parts List

Description	Part #
Hanger Bracket	AP255BL
Ceiling Canopy	PG155**
Hanger Ball	APG245BL
Canopy Screw Cover	AP260**

**Insert FINISH CODES (Refer to fan model number located on downrod support)



10983 Bennett Parkway
Zionsville, IN 46077
(888) 567-2055
FAX (866) 482-5215

Visit Our Website @ www.fanimation.com